



Figure 1.1. Top View of TS-2312-R02



Figure 1.2. Side View of TS-2312-R02



Figure 1.3. Top View of TS-2312-R02



FEATURES

- Single Axis Inclination Measurement
- Resolution: 0.02°
- Power Supply: 9-36V
- Size: 2.165 × 1.46 × 0.95 (inch)
55 × 37 × 24 (mm)
- Highest Accuracy: 0.2°
- Measurement Range: ±180°
- Output: RS232/RS485/TTL OPTIONAL
- IP67 Protection Level

APPLICATIONS

- Industrial Automatic Leveling
- Medical Instruments
- Photovoltaic Automatic Tracking
- Tower Tilt Monitoring
- Special Valve
- Oil Drilling Equipment
- Industrial Converter
- Lifting Equipment Inclination Control

DESCRIPTION

The TS-2312-R02, developed and manufactured by AIT Sensing, is a cost - effective single - axis inclinometer. It offers RS232/RS485/TTL Optional digital output. It incorporates a well - established industrial - grade MEMS accelerometer, with a measurement range of ±180° and a maximum accuracy of 0.2°. The operating temperature range extends from -40°C to + 85°C.

Compact and lightweight, the TS-2312-R02 is well - suited for applications with space constraints. It converts variations in the static gravity field into changes in the inclination angle, and directly provides the horizontal inclination value digitally.

This inclinometer has numerous advantages, such as low cost, minimal temperature drift, ease of use, and strong anti - interference capabilities. Thus, it is an ideal choice for inclination measurement in industries like photovoltaic power generation, pan - tilt control, and tower monitoring.

During installation, users can employ the AIT serial port debugging assistant tool or AIT test and calibration software for on - site calibration. This helps correct any angle misalignment at the installation site.

SPECIFICATIONS

Table 1.

Parameter	Test Conditions	Min.	Typ.	Max.	Unit/Note
Power Supply Voltage		9	12	36	V
Operating Current	No load	20	30	40	mA
Operating Temperature Range		-40		85	°C
Storage Temperature Range		-55		100	°C
Measurement Range			±180		°
Measurement Axis		X			



Parameter	Test Conditions	Min.	Typ.	Max.	Unit/Note
Accuracy	Room temperature		0.2		°
Resolution	Completely still		0.02		°
Start-Up Time				3	s
Output Frequency		5		100	Hz
Mean Time Between Failures MTBF		90000			h
Electromagnetic Compatibility		According to GBT17626			
Insulation Resistance		100			MΩ
Impact Resistance		2000g, 0.5ms, 3 times/axis			
Weight			210		g
			0.47		lbs
			7.41		Oz

*Resolution: The smallest change value of the measured value that the sensor can detect and distinguish within the measurement range.

*Accuracy: The root mean square error of the actual angle and the sensor measuring angle for multiple (≥16 times) measurements.



ELECTRICAL INTERFACE

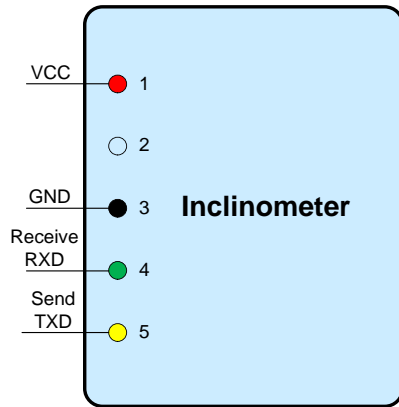


Figure 2. Pin Names

Table 2. Pin Number, Colors and Functions

No.	Color	Functions
1	Red	VCC: DC 9V ~ 36V
2	Blue	NC
3	Black	Ground
4	Green	Receive RXD (B,D-)
5	Yellow	Send TXD (A,D+)

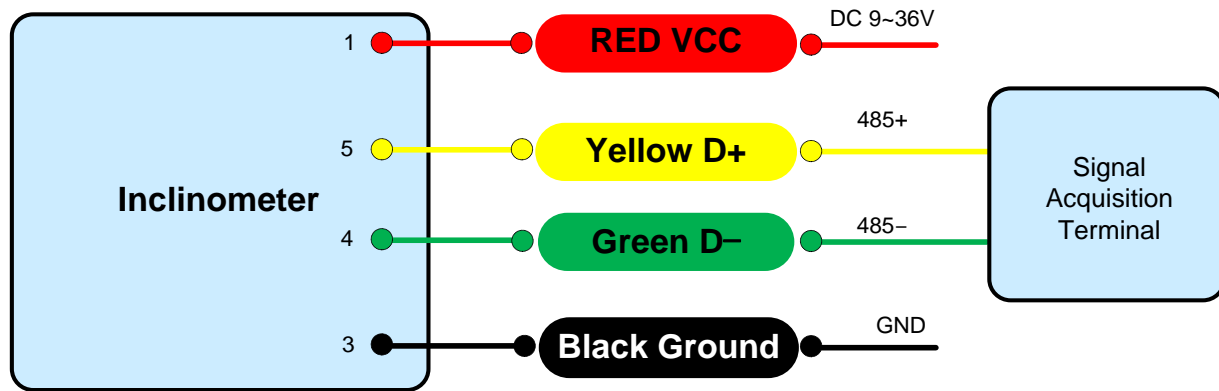


Figure 3. RS 485 Wiring Diagram

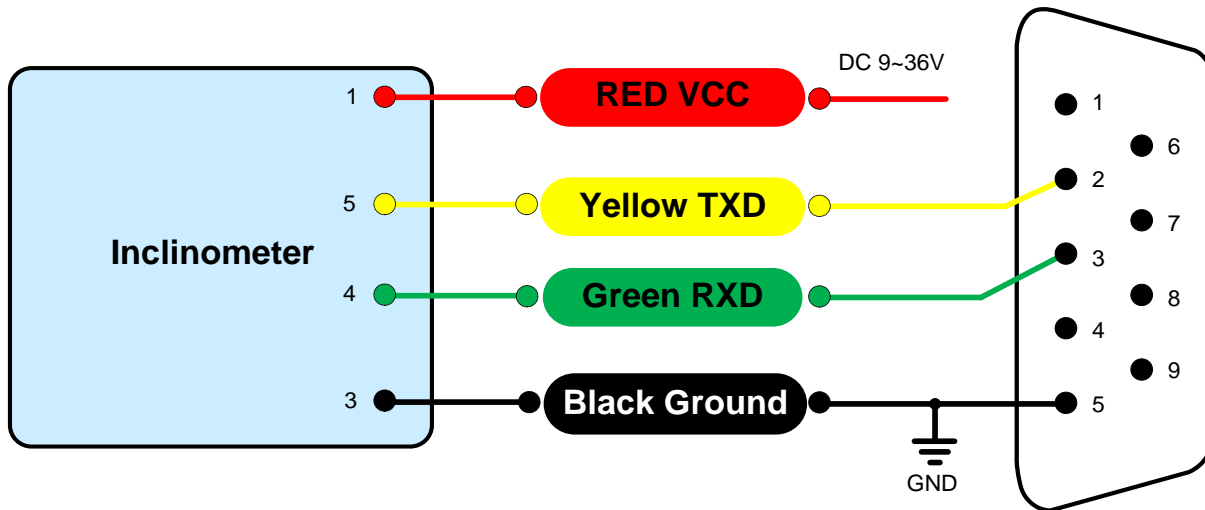


Figure 4. RS 232 Wiring Diagram



TEST SOFTWARE

You can download the serial debugging assistant directly on the official website (technical service -> download area), or you can use the more convenient and intuitive host computer software.

TS-2312-R02 supporting serial port debugging software can connect the inclination sensor on the computer to display the angle. The software debugging interface is shown in the figure below. Using the tilt angle to debug the host computer, you can conveniently display the current X direction tilt angle, and you can also modify and set other parameters.

Steps:

- (1). Correctly connect the serial port hardware of the inclinometer and connect the power supply.
- (2). Select the computer serial port and baud rate and click to connect to the serial port.
- (3). Click Start, the current tilt angle of the inclinometer in the X direction will be displayed on the screen.

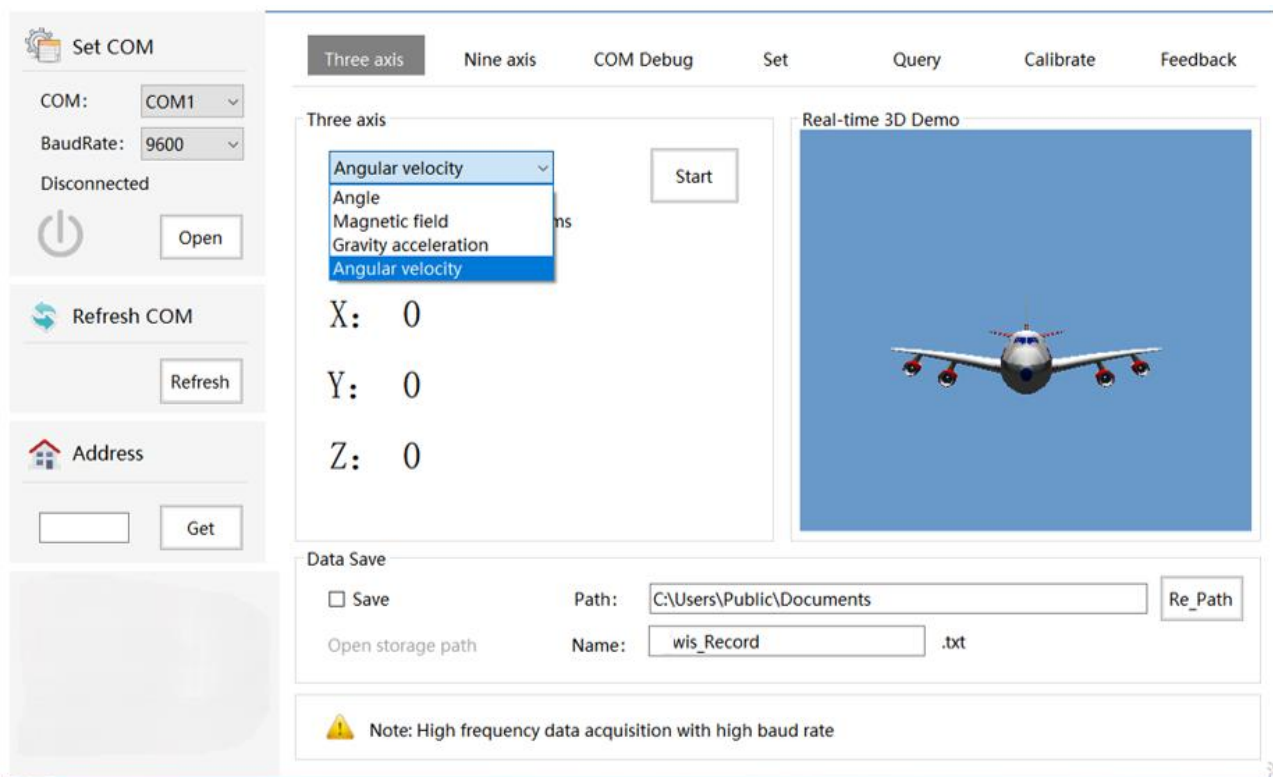


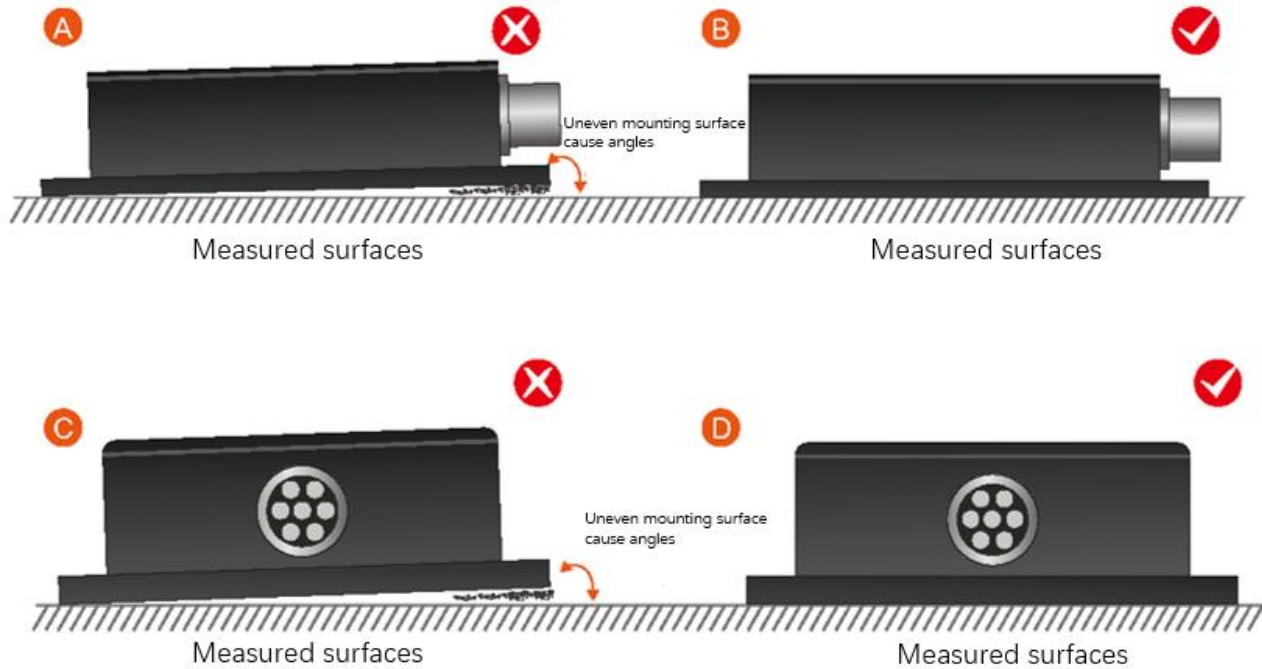
Figure 5. Software Debugging Interface



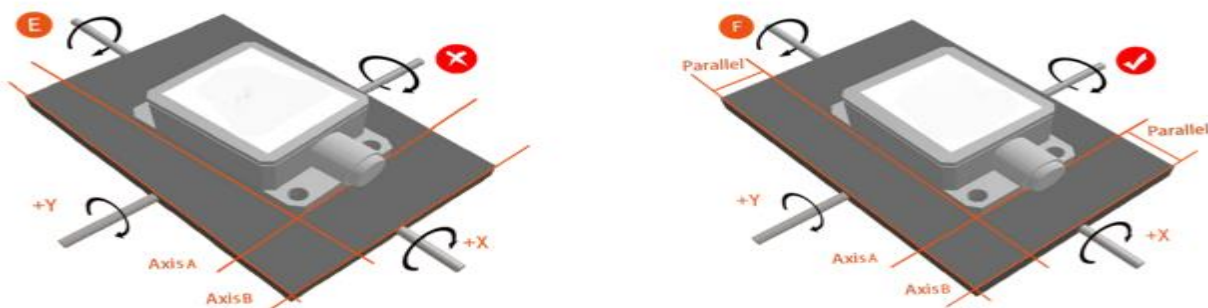
INSTALLATION

The correct installation method can avoid measurement errors. When installing the sensor, please do the following:

First of all, make sure that the sensor mounting surface is completely close to the measured surface, and the measured surface should be as level as possible. There should be no included angles as shown in Figure A and Figure C. The correct installation method is shown in Figure B and Figure D.



Secondly, the bottom line of the sensor and the axis of the measured object cannot have an angle as shown in Figure E, and the bottom line of the sensor should be kept parallel or orthogonal to the axis of rotation of the measured object during installation. This product can be installed horizontally or vertically (vertical installation needs to be customized), and the correct installation method is shown in Figure F.



Finally, the mounting surface of the sensor and the surface to be measured must be tightly fixed, smooth in contact, and stable in rotation, and measurement errors due to acceleration and vibration must be avoided.



DIMENSIONS

Outline Dimensions

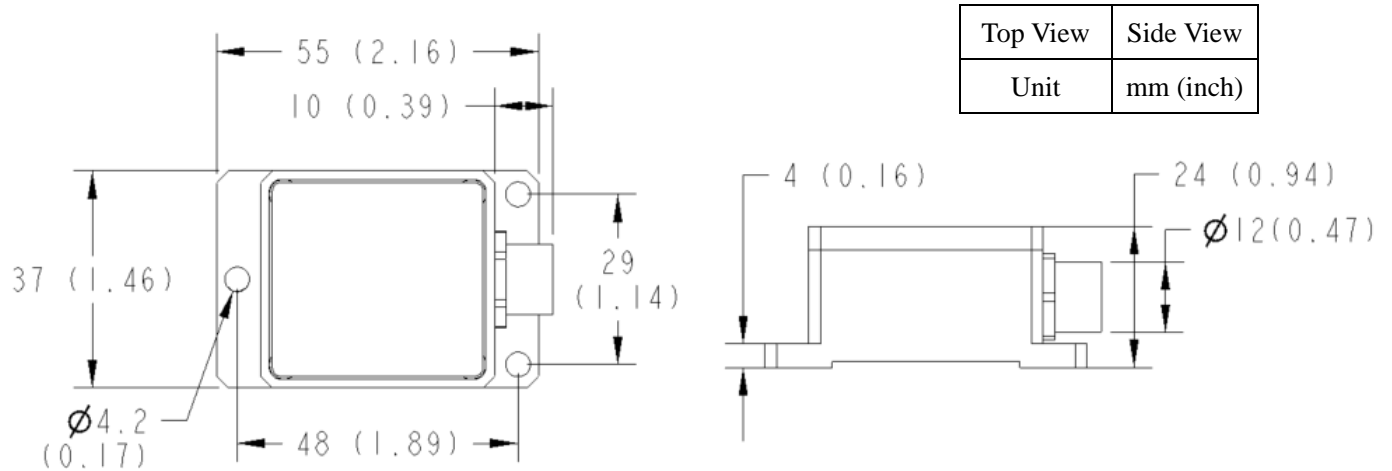


Figure 6. Outline Dimensions

PCB Dimensions

The length and width may have an error of ± 1 mm, please refer to the actual product.

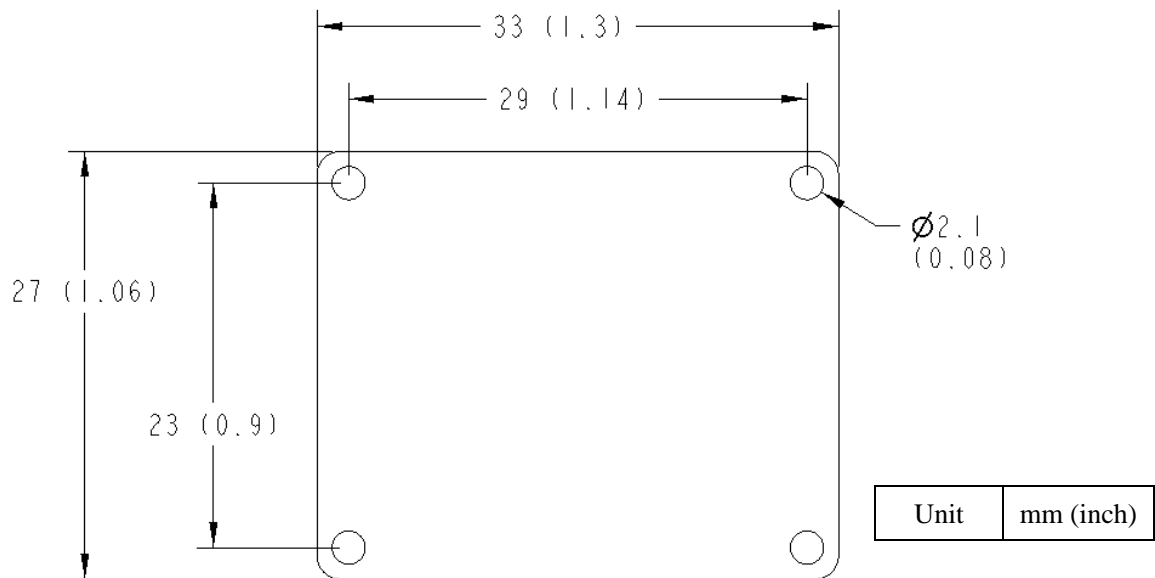


Figure 7. PCB Dimensions



Table 3. Mechanical Index

Connector	Metal joint (Cable 1.5m)
Protection level	IP67
Shell material	Magnesium aluminum alloy oxidation
Installation	Three M4 screws



ORDERING INFORMATION

Part Number	Buy Now	Description
TS-2312-R02-180-485	 *  *	Communication Mode RS485
TS-2312-R02-180-232	 *  *	Communication Mode RS232
TS-2312-R02-180-TTL	 *  *	Communication Mode TTL

*: both  and  are our online store icons. Our products can be ordered from either one of them with the same pricing and delivery time.

EXECUTIVE STANDARD

- Enterprise Quality System Standard: ISO9001:2015 Standard (Certificate No.23919Q10455R0S)
- CE certification (certificate number: M.2019.103. U Y1151)
- ROHS (certificate Number: G 190930099)
- GB/T 191 SJ 20873-2003 General specification for inclinometer and level
- GBT 18459-2001 The calculation method of the main static performance index of the sensor
- JJF 1059-1999 Evaluation and expression of measurement uncertainty
- GBT 14412-2005 Mechanical vibration and shock Mechanical installation of accelerometer
- GJB 450A-2004 General requirements for equipment reliability
- GJB 909A Quality control of key parts and important parts
- GJB899 Reliability appraisal and acceptance test
- GJB150-3A High temperature test
- GJB150-4A Low temperature test
- GJB150-8A Rain test
- GJB150-12A Sand and dust experiment
- GJB150-16A Vibration test
- GJB150-18A Impact test
- GJB150-23A Tilt and rock test
- GB/T 17626-3A Radio frequency electromagnetic field radiation immunity test
- GB/T 17626-5A Surge (impact) immunity test
- GB/T 17626-8A Power frequency magnetic field immunity test
- GB/T 17626-11A Immunity to voltage dips, short-term interruptions and voltage changes
- GB/T 2423.22-2012 Environment test
- The Second Part: Test Method Test N: Temperature change (IEC60068-2-14:2009,IDT)
- GB/T 10125-2012 Artificial atmosphere corrosion test Salt spray test (ISO 9227:2006,IDT)

NOTICE

1. It is important to carefully read and follow the warnings, cautions, and product-specific notes provided with electronic components. These instructions are designed to ensure the safe and proper use of the component



and to prevent damage to the component or surrounding equipment. Failure to follow these instructions could result in malfunction or failure of the component, damage to surrounding equipment, or even injury or harm to individuals. Always take the necessary precautions and seek professional assistance if unsure about proper use or handling of electronic components.

2. Please note that the products and specifications described in this publication are subject to change without prior notice as we continuously improve our products. Therefore, we recommend checking the product descriptions and specifications before placing an order to ensure that they are still applicable. We also reserve the right to discontinue the production and delivery of certain products, which means that not all products named in this publication may always be available.
3. This means that while ATI may provide information about the typical requirements and applications of their products, they cannot guarantee that their products will be suitable for all customer applications. It is the responsibility of the customer to evaluate whether an ATI product with the specified properties is appropriate for their particular application.
4. ATI warrants its products to perform according to specifications for one year from the date of sale, except when damaged due to excessive abuse. If a product fails to meet specifications within one year of the sale, it can be exchanged free of charge.
5. ATI reserves the right to make changes or discontinue products or services without notice. Customers are advised to obtain the latest information before placing orders.
6. All products are sold subject to terms and conditions of sale, including those pertaining to warranty, patent infringement, and limitation of liability. Customers are responsible for their applications using ATI products, and ATI assumes no liability for applications assistance or customer product design.
7. ATI does not grant any license, either express or implied, under any patent right, copyright, mask work right, or other intellectual property right of ATI.
8. ATI's publication of information regarding third-party products or services does not constitute approval, warranty, or endorsement.
9. ATI retains ownership of all rights for special technologies, techniques, and designs for its products and projects, as well as any modifications, improvements, and inventions made by ATI.
10. Despite operating the electronic modules as specified, malfunctions or failures may occur before the end of their usual service life due to the current state of technology. Therefore, it is crucial for customer applications that require a high level of operational safety, especially in accident prevention or life-saving systems where the malfunction or failure of electronic modules could pose a risk to human life or health, to ensure that suitable measures are taken. The customer should design their application or implement protective circuitry or redundancy to prevent injury or damage to third parties in the event of an electronic module malfunction or failure.